

Actuator

17-051351

Distribution by
DigiKey

DigiKey



<https://digikey.eao.com/p/17-051351>

Your product:



17-051351 Actuator

FRONT

Front dimension:	Ø 9,5 mm
Front form:	round
Reflector:	Metal, black chromium-plated, internal

MOUNTING

Mounting cut-out:	Ø 8 mm
Design:	raised

OPERATING-/INDICATION PART

Illumination colour:	Green
-----------------------------	-------

ELECTRICAL CHARACTERISTICS

Lumi. Intensity:	32 mcd
Operating voltage:	24 V AC/DC ±10 %
Polarity:	Anode (+) Brass plug-in connector Cathode (-) Brass tinned plug-in connector
Operation current:	20 mA ±15 %

MECHANICAL CHARACTERISTIC

Weight:	0.005 kg
Tightening torque:	Fixing nut max. 0.2 Nm
Terminal:	Plug-in terminal, 2.8 x 0.8 mm

AMBIENT CONDITION

Operating temperature: - 20 °C ... + 60 °C

IP Protection: IP40 front side, IP65 front side, according to IEC 60529

Storage temperature: - 25 °C ... + 80 °C

CERTIFICATE

Approbations: UL

Conformities: 2011 / 65 / EC (RoHS), 2014 / 35 / EU (230 VAC)

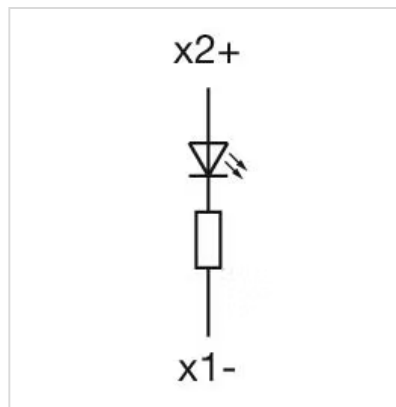
OTHER

Kind of illumination: Single-LED

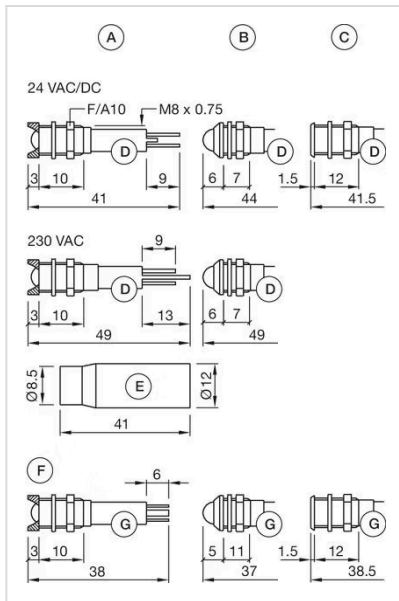
Hints: Connectors: Brass terminal = anode (+); brass tinned terminal = cathode (-), IP67 front side gap between LED and reflector and gap between reflector and frontplate sealed to IP67 when using the supplied gasket., The plastic is limited resistant to chemicals.

Short Description: Actuator, Ø 8 mm, Ø 9,5 mm, round, Plug-in terminal, 2.8 x 0.8 mm, Green

Wiring diagrams:



Dimension drawings:



Mounting cut-outs:

