

Actuator

17-050367

Distribution by
DigiKey

DigiKey



<https://digikey.eao.com/p/17-050367>

Your product:



17-050367 Actuator

FRONT

Reflector:	Metal, polished chromium-plated, internal
Front dimension:	Ø 9,5 mm
Front form:	round

MOUNTING

Mounting cut-out:	Ø 8 mm
Design:	raised

OPERATING-/INDICATION PART

Illumination colour:	Blue
-----------------------------	------

ELECTRICAL CHARACTERISTICS

Operation current:	20 mA ±15 %
Operating voltage:	24 V AC ±10 %
Polarity:	Anode (+) Brass plug-in connector Cathode (-) Brass tinned plug-in connector
Lumi. Intensity:	57 mcd

MECHANICAL CHARATERISTIC

Terminal:	Plug-in terminal, 2.8 x 0.8 mm
Weight:	0.005 kg
Tightening torque:	Fixing nut max. 0.2 Nm

AMBIENT CONDITION

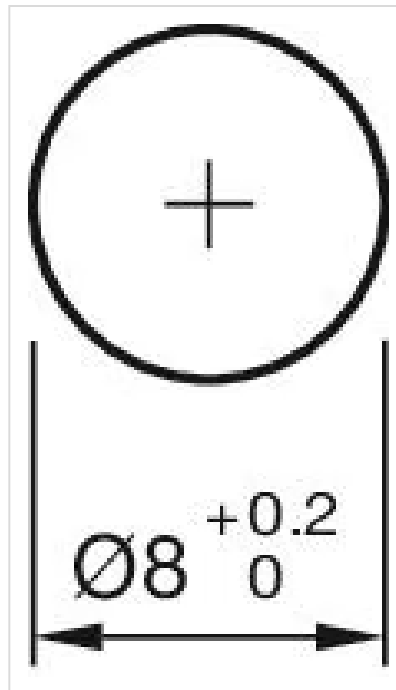
IP Protection:	IP40 front side, IP65 front side, according to IEC 60529
Operating temperature:	- 20 °C ... + 60 °C
Storage temperature:	- 25 °C ... + 80 °C

CERTIFICATE

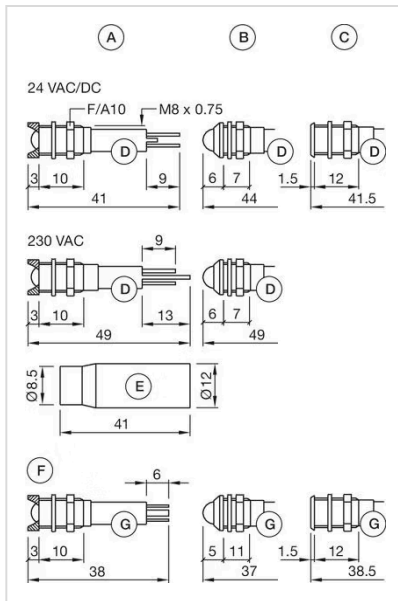
Approbations:	UL
Conformities:	2011 / 65 / EC (RoHS), 2014 / 35 / EU (230 VAC)

OTHER

Short Description:	Actuator, Ø 8 mm, Ø 9,5 mm, round, Plug-in terminal, 2.8 x 0.8 mm, Blue
Hints:	Connectors: Brass terminal = anode (+); brass tinned terminal = cathode (-), IP67 front side gap between LED and reflector and gap between reflector and frontplate sealed to IP67 when using the supplied gasket., The plastic is limited resistant to chemicals.
Kind of illumination:	Single-LED
Mounting cut-outs:	



Dimension drawings:



- A = interior
- B = exterior
- C = superflat
- D = Plug-in terminal 2.8 mm x 0.8 mm
- E = Multi-colour
- F = Protection tube
- G = Plug-in terminal 2.0 mm x 0.5 mm

Wiring diagrams:

