

Actuator

17-050362

Distribution by
DigiKey

DigiKey



<https://digikey.eao.com/p/17-050362>

Your product:



17-050362 Actuator

FRONT

Front dimension:	Ø 9,5 mm
Front form:	round
Reflector:	Metal, polished chromium-plated, internal

MOUNTING

Mounting cut-out:	Ø 8 mm
Design:	raised

OPERATING-/INDICATION PART

Illumination colour:	Yellow
-----------------------------	--------

ELECTRICAL CHARACTERISTICS

Polarity:	Anode (+) Brass plug-in connector Cathode (-) Brass tinned plug-in connector
Lumi. Intensity:	30 mcd
Operation current:	19 mA ±15 %
Operating voltage:	24 V AC ±10 %

MECHANICAL CHARACTERISTIC

Tightening torque:	Fixing nut max. 0.2 Nm
Weight:	0.005 kg
Terminal:	Plug-in terminal, 2.8 x 0.8 mm

AMBIENT CONDITION

Storage temperature: - 25 °C ... + 80 °C

IP Protection: IP40 front side, IP65 front side, according to IEC 60529

Operating temperature: - 20 °C ... + 60 °C

CERTIFICATE

Conformities: 2011 / 65 / EC (RoHS), 2014 / 35 / EU (230 VAC)

Approbations: UL

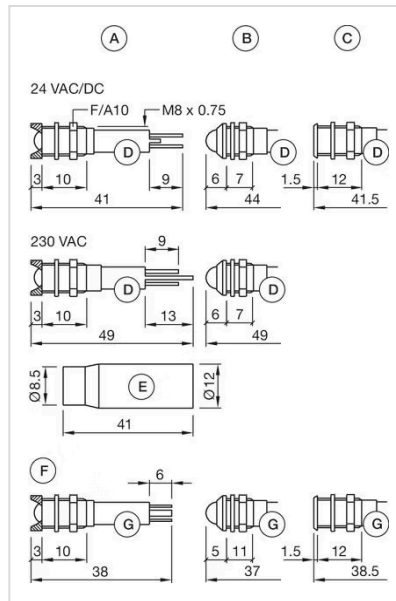
OTHER

Hints: Connectors: Brass terminal = anode (+); brass tinned terminal = cathode (-), IP67 front side gap between LED and reflector and gap between reflector and frontplate sealed to IP67 when using the supplied gasket., The plastic is limited resistant to chemicals.

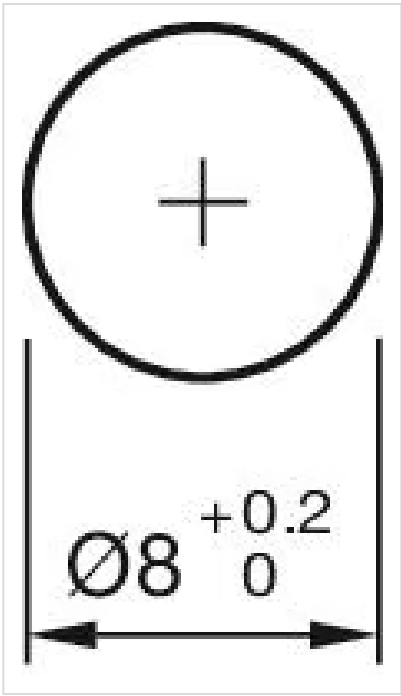
Kind of illumination: Single-LED

Short Description: Actuator, Ø 8 mm, Ø 9,5 mm, round, Plug-in terminal, 2.8 x 0.8 mm, Yellow

Dimension drawings:



Mounting cut-outs:



Wiring diagrams:

