

Actuator

17-050357

Distribution by
DigiKey

DigiKey



<https://digikey.eao.com/p/17-050357>

Your product:



17-050357 Actuator

FRONT

Front dimension:	Ø 9,5 mm
Front form:	round
Reflector:	Metal, polished chromium-plated, internal

MOUNTING

Mounting cut-out:	Ø 8 mm
Design:	raised

OPERATING-/INDICATION PART

Illumination colour:	Blue
-----------------------------	------

ELECTRICAL CHARACTERISTICS

Lumi. Intensity:	60 mcd
Operation current:	20 mA ±15 %
Operating voltage:	24 V DC ±10 %
Polarity:	Anode (+) Brass plug-in connector Cathode (-) Brass tinned plug-in connector

MECHANICAL CHARATERISTIC

Tightening torque:	Fixing nut max. 0.2 Nm
Terminal:	Plug-in terminal, 2.8 x 0.8 mm
Weight:	0.005 kg

AMBIENT CONDITION

Operating temperature: - 20 °C ... + 60 °C

Storage temperature: - 25 °C ... + 80 °C

IP Protection: IP40 front side, IP65 front side, according to IEC 60529

CERTIFICATE

Approbations: UL

Conformities: 2011 / 65 / EC (RoHS), 2014 / 35 / EU (230 VAC)

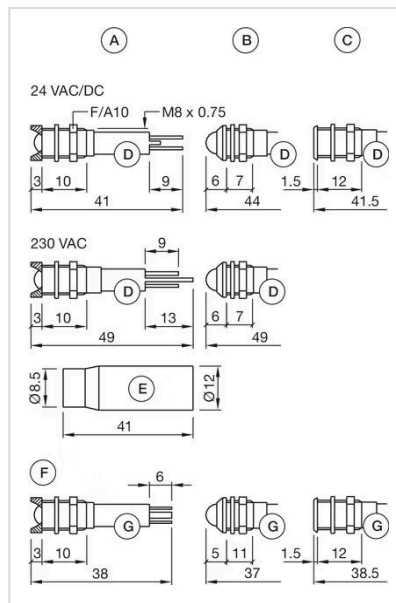
OTHER

Kind of illumination: Single-LED

Short Description: Actuator, Ø 8 mm, Ø 9,5 mm, round, Plug-in terminal, 2.8 x 0.8 mm, Blue

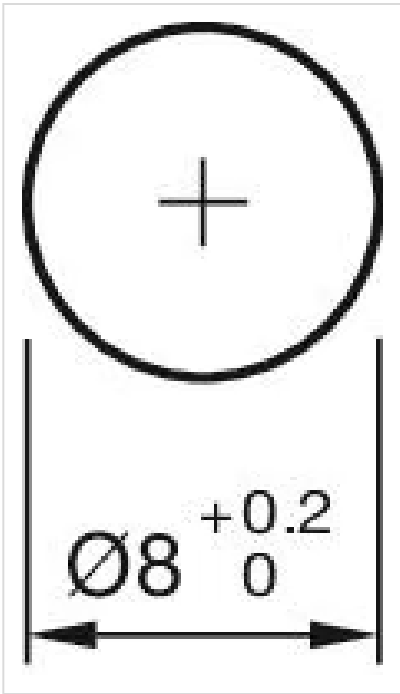
Hints: Connectors: Brass terminal = anode (+); brass tinned terminal = cathode (-), IP67 front side gap between LED and reflector and gap between reflector and frontplate sealed to IP67 when using the supplied gasket., The plastic is limited resistant to chemicals.

Dimension drawings:



- A = interior
- B = exterior
- C = superflat
- D = Plug-in terminal 2.8 mm x 0.8 mm
- E = Multi-colour
- F = Protection tube
- G = Plug-in terminal 2.0 mm x 0.5 mm

Mounting cut-outs:



Wiring diagrams:

