

Indicator

17-041352

Distribution by
DigiKey

DigiKey



<https://digikey.eao.com/p/17-041352>

Your product:



17-041352 Indicator

FRONT

Front dimension:	Ø 9,5 mm
Front form:	round
Reflector:	Metal, black chromium-plated, domed

MOUNTING

Design:	raised
Mounting cut-out:	Ø 8 mm
Mounting type:	Panel mounting

OPERATING-/INDICATION PART

Illumination colour:	Yellow
-----------------------------	--------

ELECTRICAL CHARACTERISTICS

Operating voltage:	24 V AC ±10 %
Operation current:	20 mA ±15 %
Lumi. Intensity:	32 mcd
Polarity:	Anode (+) Brass plug-in connector Cathode (-) Brass tinned plug-in connector

MECHANICAL CHARATERISTIC

Terminal: Plug-in terminal, 2.8 x 0.8 mm
Tightening torque: Fixing nut max. 0.2 Nm
Weight: 0.005 kg

AMBIENT CONDITION

IP Protection: IP40 front side, IP65 front side, according to IEC 60529
Operating temperature: - 20 °C ... + 60 °C
Storage temperature: - 25 °C ... + 80 °C

CERTIFICATE

Approbations: UL
Conformities: 2011 / 65 / EC (RoHS), 2014 / 35 / EU (230 VAC)
REACH: REACH compliant
RoHS: RoHS compliant

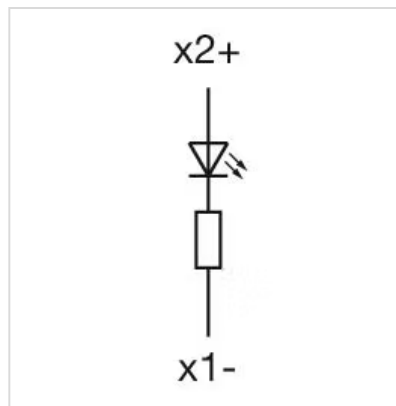
OTHER

Short Description: Indicator, Ø 8 mm, Ø 9,5 mm, round, Plug-in terminal, 2.8 x 0.8 mm, Yellow

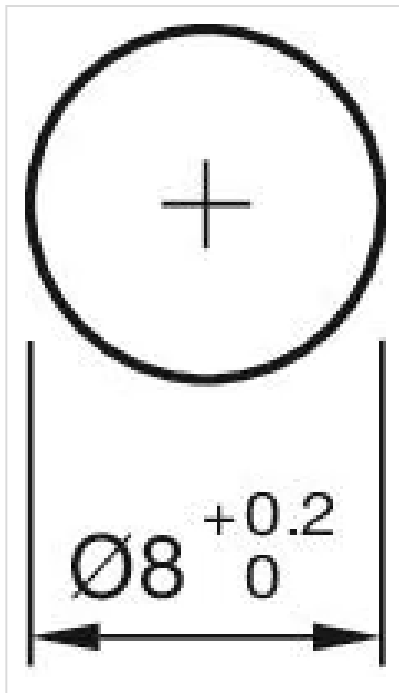
Kind of illumination: Single-LED

Hints: Connectors: Brass terminal = anode (+); brass tinned terminal = cathode (-), IP67 front side gap between LED and reflector and gap between reflector and frontplate sealed to IP67 when using the supplied gasket., The plastic is limited resistant to chemicals.

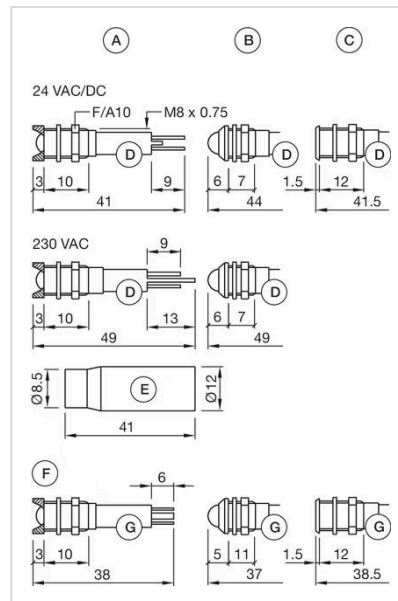
Wiring diagrams:



Mounting cut-outs:



Dimension drawings:



- A = interior
- B = exterior
- C = superflat
- D = Plug-in terminal 2.8 mm x 0.8 mm
- E = Multi-colour
- F = Protection tube
- G = Plug-in terminal 2.0 mm x 0.5 mm