

Actuator

14-
742.006

Distribution by
DigiKey

DigiKey



<https://digikey.eao.com/p/14-742.006>

Your product:



14-742.006 Actuator

MOUNTING

Mounting cut-out: Ø 22.3 mm

Design: raised

ELECTRICAL CHARACTERISTICS

Operating voltage: 24 V AC/DC

MECHANICAL CHARACTERISTIC

Tightening torque: Fixing nut max. 0.25 Nm

Terminal: Universal terminal, 2 x 0.5 mm

Weight: 0.011 kg

AMBIENT CONDITION

Operating temperature: - 25 °C ... + 55 °C, mounted as a block, make sure the heat can escape freely

Storage temperature: - 40 °C ... + 85 °C

IP front protection: IP67, according to DIN EN 60529

CERTIFICATE

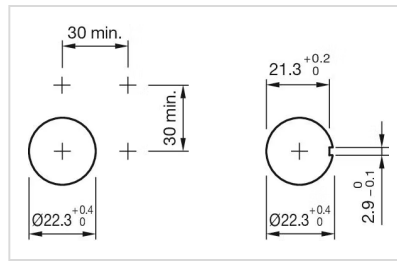
Conformities: CE, UKCA, 2011 / 65 / EC (RoHS), 2014 / 35 / EU (LVD)

Approbations: CB (IEC 61058-1), CQC, CSA, DNV, ENEC (EN 61058-1), UL

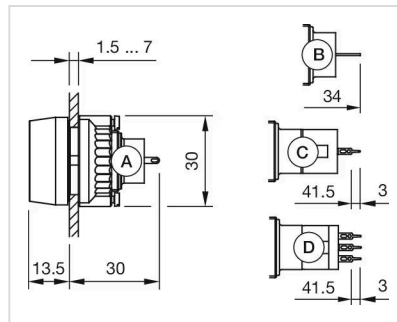
OTHER

Short Description: Actuator, Ø 22.3 mm, Universal terminal, 2 x 0.5 mm, IP67, according to DIN EN 60529

Mounting cut-outs:

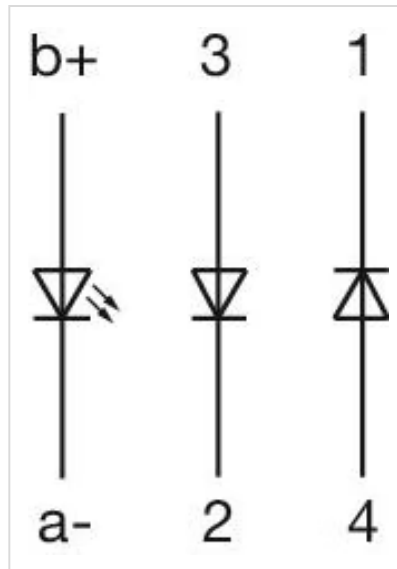


Dimension drawings:

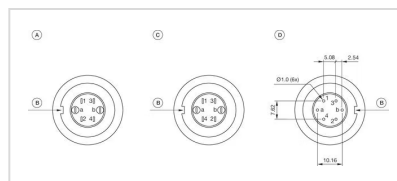


- A = Solder terminal
- B = Plug-in terminal 2.8 x 0.5 mm
- C = Universal terminal 2.0 mm x 0.5 mm
- D = Universal-Solder terminal

Wiring diagrams:



Component layouts:



- A = Terminals (rear side)
- B = Anti twist device
- C = Diode block
- D = Drilling plan (component side)