

Bi-colour LED

10-A312.314A

Distribution by
DigiKey

DigiKey



<https://digikey.eao.com/component/10-A312.314...>

Your product:



10-A312.314A Bi-colour LED

Loading ...

OPERATING-/INDICATION PART

Illumination colour: Red / Green

ELECTRICAL CHARACTERISTICS

Operating voltage: 24 V DC +10%

Operation current: 15/14 mA \pm 15 %

Lumi. Intensity: 600/630 mcd

MECHANICAL CHARACTERISTICS

Weight: 0.001 kg

CERTIFICATE

REACH: REACH compliant

RoHS: RoHS compliant

OTHER

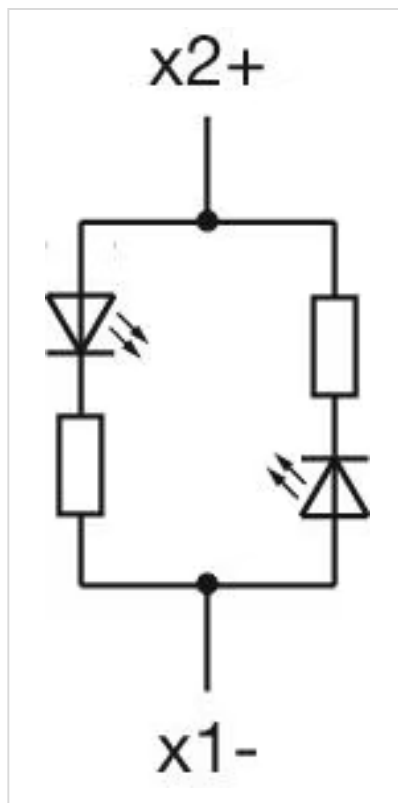
Short Description: Bi-colour LED, T1 ¼ MG, Red / Green, 24 V DC +10%

Kind of illumination: Bi-colour-LED

Hints: Due to high surface temperatures, the series resistor must not be soldered directly to the terminals of the equipment (use a terminal plate)
When using AC/DC types with AC operation, slight flickering can occur
The luminous intensity stated is for when used with DC
Electrical and optical data are measured at 25 °C
The specified versions are built with a protection diode (halve wave rectifier) in series and the LED
Luminosity and wave length variations caused by LED manufacturing processes may cause slight differences regarding the illumination. The customer has to decide what resistor shall be used to the LED

Where supply voltages are over 48 V, a voltage-reduction element (external protective series resistor) must be used.

Wiring diagrams:



Dimension drawings:

