

Bi-colour LED

10-2H12.314B

Distribution by
DigiKey

DigiKey



<https://digikey.eao.com/component/10-2H12.314...>

Your product:



10-2H12.314B Bi-colour LED

Loading ...

OPERATING-/INDICATION PART

Illumination colour: Red / Yellow

ELECTRICAL CHARACTERISTICS

Operating voltage: 24 V DC +10%

Operation current: 15 mA ±15 %

Lumi. Intensity: 1200/550 mcd

MECHANICAL CHARACTERISTICS

Weight: 0.002 kg

CERTIFICATE

REACH: REACH compliant

RoHS: RoHS compliant

OTHER

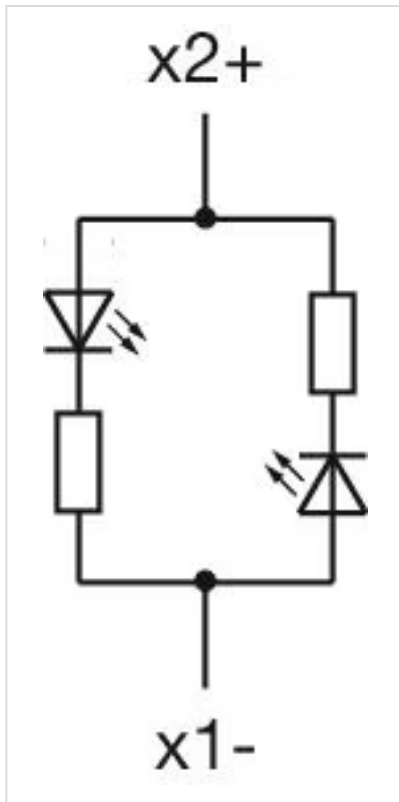
Short Description: Bi-colour LED, BA9s, Red / Yellow, 24 V DC +10%

Kind of illumination: Bi-colour-LED

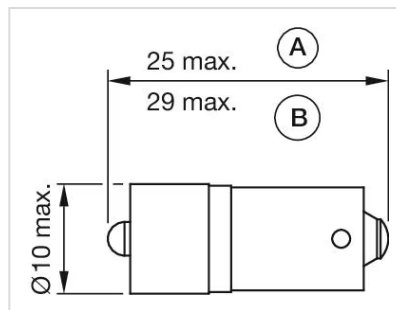
Product attributes: X2: + = Red / X1: + = Yellow

Hints: The max. overall length of the lamp may not exceed 25mm
Electrical and optical data are measured at 25 °C
The specified 6 V DC, 24 V DC Bi-colour; 130 V AC, 130 V DC and 230 V AC versions are built with a protection diode
Luminosity and wave length variations caused by LED manufacturing processes may cause slight differences regarding the illumination. The customer has to decide what resistor shall be used to the LED

Wiring diagrams:



Dimension drawings:



A = (standard)
B = (super bright)