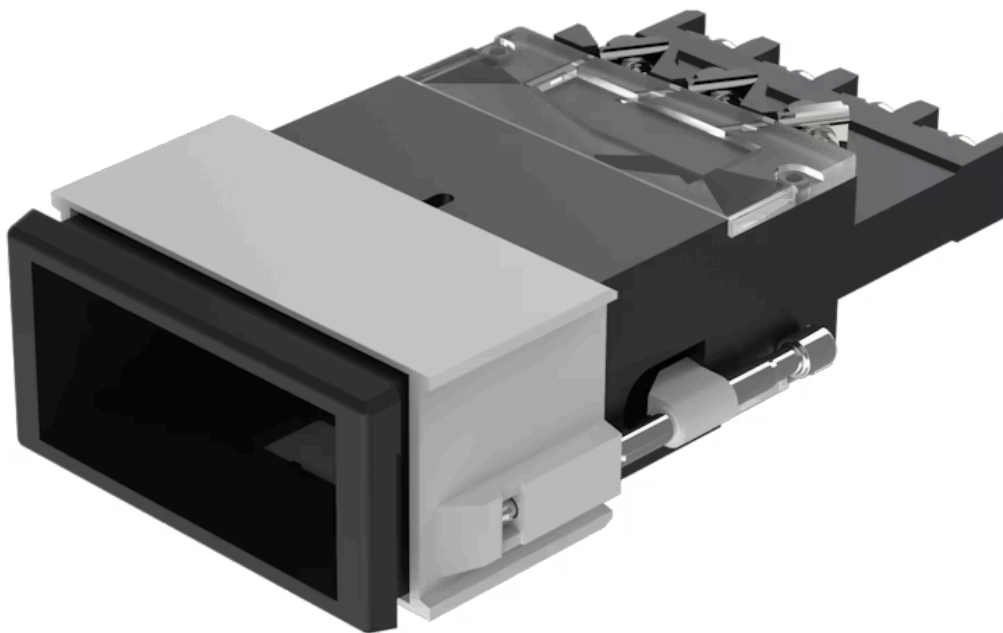


Actuator

03-
628.011

Distribution by
DigiKey

DigiKey



<https://digikey.eao.com/component/03-628.011/...>

Your product:



03-628.011 Actuator

Loading ...

PRODUCT RANGE

Product Status: Not Recommended for new design

FRONT

Front form: Rectangular

Front bezel colour: Black

Front bezel material: Plastic

MOUNTING

Design: Flush

Mounting cut-out: 21.2 mm x 41.2 mm

Mounting type: Panel mounting

OPERATING-/INDICATION PART

Lens illumination: Illuminated

ELECTRICAL CHARACTERISTICS

Switching voltage and switching current: according to UL
250 VAC, 10 A
according to IEC 60947-5-1
AC-12: 400 V, 10 A
AC-15: 250 V, 8 A
DC-13: 60 V, 1 A
AC-15: 400 V, 6 A
DC-13: 110 V, 0.4 A
DC-13: 24 V, 3 A

Contacts: 1 C

Rated insulation voltage Ui: 400 VAC/440 VDC according to IEC 60947-5-1

Switching rating: 400 V @ 10 A

| | |
|--|---|
| Electric strength: | 2500 VAC, 50 Hz, 1 minute, as per IEC 60947-5-1 between all terminals and earth |
| Standards: | The switches comply with the "Standards for low-voltage switching devices" EN IEC 60947-5-1 |
| Thermal current I_{th}: | 10 A |

MECHANICAL CHARACTERISTICS

| | |
|-----------------------------|---|
| Terminal: | Screw terminal |
| Contact material: | Silver |
| Switching action: | Maintained |
| Switching system: | Snap-action switching element |
| Switching system: | 1 or 2 self-cleaning snap action switching elements. 1 or 2 double-throw contacts. |
| Mechanical lifetime: | 1 Mil. cycles of operation |
| Operating force: | 6 ... 12 N |
| Operating Travel: | ca. 5 mm |
| Tightening torque: | Fixing sleeve max. 0.2 Nm, Screw terminal 0.8 Nm |
| Terminal details 1: | Max. wire cross-section 2 mm x 2.5 mm ² Max. wire cross-section of stranded cable 2 x 1.5 mm ² |
| Weight: | 0.077 kg |

AMBIENT CONDITION

| | |
|-------------------------------|---|
| IP Protection: | IP40 front side, IP65 with spray cover, according to IEC 60529 |
| Operating temperature: | - 25 °C ... + 55 °C, mounted as a block, make sure the heat can escape freely |
| Storage temperature: | - 30 °C ... + 85 °C |
| Shock resistance: | 15 g for 11 ms, according to IEC 60068-2-27 |
| Vibration resistance: | 10 g at 10 Hz...2000 Hz, amplitude 1.0 mm, according to IEC 60068-2-6 |

CERTIFICATE

| | |
|----------------------|---|
| Approbations: | CB (IEC 61058-1), CSA, DNV, UL |
| Conformities: | CE, UKCA, 2011 / 65 / EC (RoHS), 2014 / 35 / EU (LVD) |
| REACH: | REACH compliant |
| RoHS: | RoHS compliant |

OTHER

Short Description: Actuator, 21.2 mm x 41.2 mm, Illuminated, Rectangular, Black, Plastic, 1 C, Maintained, Screw terminal

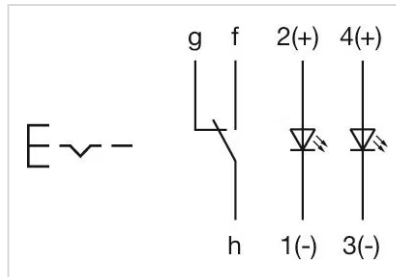
Housing colour: Black

Housing material: Plastic

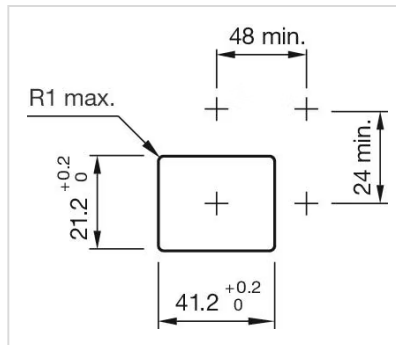
Product attributes: Has two independent lamp bases

Hints: Has two independent lamp bases
For LED element fitting information see Application guidelines, LED polarity

Wiring diagrams:



Mounting cut-outs:



Dimension drawings:

