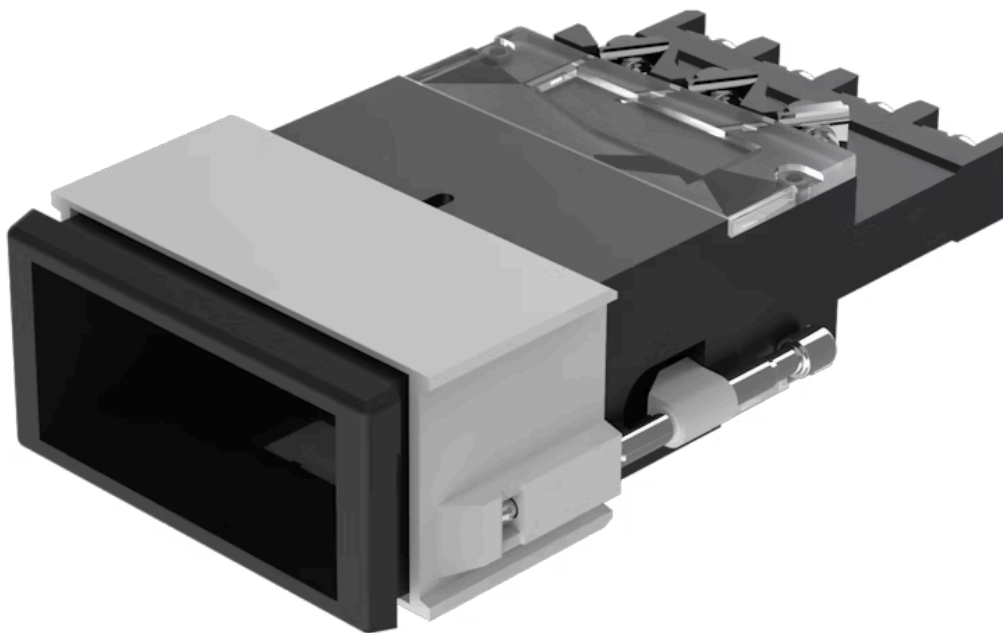


# Actuator

03-  
625.011

Distribution by  
DigiKey

**DigiKey**



<https://digikey.eao.com/p/03-625.011>

Your product:

---



## 03-625.011 Actuator

### PRODUCT RANGE

**Product Status:** Not Recommended for new design

### FRONT

**Front form:** Rectangular

**Front bezel colour:** Black

**Front bezel material:** Plastic

### MOUNTING

**Design:** Flush

**Mounting cut-out:** 21.2 mm x 41.2 mm

**Mounting type:** Panel mounting

### OPERATING-/INDICATION PART

**Lens illumination:** Illuminated

### ELECTRICAL CHARACTERISTICS

**Switching voltage and switching current:** according to UL  
250 VAC, 10 A  
according to IEC 60947-5-1  
AC-12: 400 V, 10 A  
AC-15: 250 V, 8 A  
DC-13: 60 V, 1 A  
AC-15: 400 V, 6 A  
DC-13: 110 V, 0.4 A  
DC-13: 24 V, 3 A

**Contacts:** 2 C

**Rated insulation voltage Ui:** 400 VAC/440 VDC according to IEC 60947-5-1

**Switching rating:** 400 V @ 10 A

<b>Electric strength:</b>	2500 VAC, 50 Hz, 1 minute, as per IEC 60947-5-1 between all terminals and earth
<b>Standards:</b>	The switches comply with the "Standards for low-voltage switching devices" EN IEC 60947-5-1
<b>Thermal current I<sub>th</sub>:</b>	10 A

## MECHANICAL CHARACTERISTICS

<b>Terminal:</b>	Screw terminal
<b>Contact material:</b>	Silver
<b>Switching action:</b>	Maintained
<b>Switching system:</b>	Snap-action switching element
<b>Switching system:</b>	1 or 2 self-cleaning snap action switching elements. 1 or 2 double-throw contacts.
<b>Mechanical lifetime:</b>	1 Mil. cycles of operation
<b>Operating force:</b>	6 ... 12 N
<b>Operating Travel:</b>	ca. 5 mm
<b>Tightening torque:</b>	Fixing sleeve max. 0.2 Nm, Screw terminal 0.8 Nm
<b>Terminal details 1:</b>	Max. wire cross-section 2 mm x 2.5 mm <sup>2</sup> Max. wire cross-section of stranded cable 2 x 1.5 mm <sup>2</sup>
<b>Weight:</b>	0.08 kg

## AMBIENT CONDITION

<b>IP Protection:</b>	IP40 front side, IP65 with spray cover, according to IEC 60529
<b>Operating temperature:</b>	- 25 °C ... + 55 °C, mounted as a block, make sure the heat can escape freely
<b>Storage temperature:</b>	- 30 °C ... + 85 °C
<b>Shock resistance:</b>	15 g for 11 ms, according to IEC 60068-2-27
<b>Vibration resistance:</b>	10 g at 10 Hz...2000 Hz, amplitude 1.0 mm, according to IEC 60068-2-6

## CERTIFICATE

<b>Approbations:</b>	CB (IEC 61058-1), CSA, DNV, UL
<b>Conformities:</b>	CE, UKCA, 2011 / 65 / EC (RoHS), 2014 / 35 / EU (LVD)
<b>REACH:</b>	REACH compliant
<b>RoHS:</b>	RoHS compliant

**OTHER**

**Short Description:** Actuator, 21.2 mm x 41.2 mm, Illuminated, Rectangular, Black, Plastic, 2 C, Maintained, Screw terminal

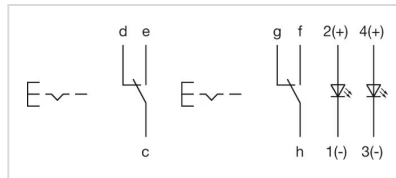
**Housing colour:** Black

**Housing material:** Plastic

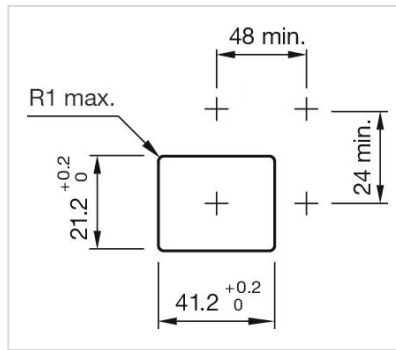
**Product attributes:** Has two independent lamp bases, has independent changeover

**Hints:** Has two independent lamp bases  
For LED element fitting information see Application guidelines, LED polarity

**Wiring diagrams:**



**Mounting cut-outs:**



**Dimension drawings:**

