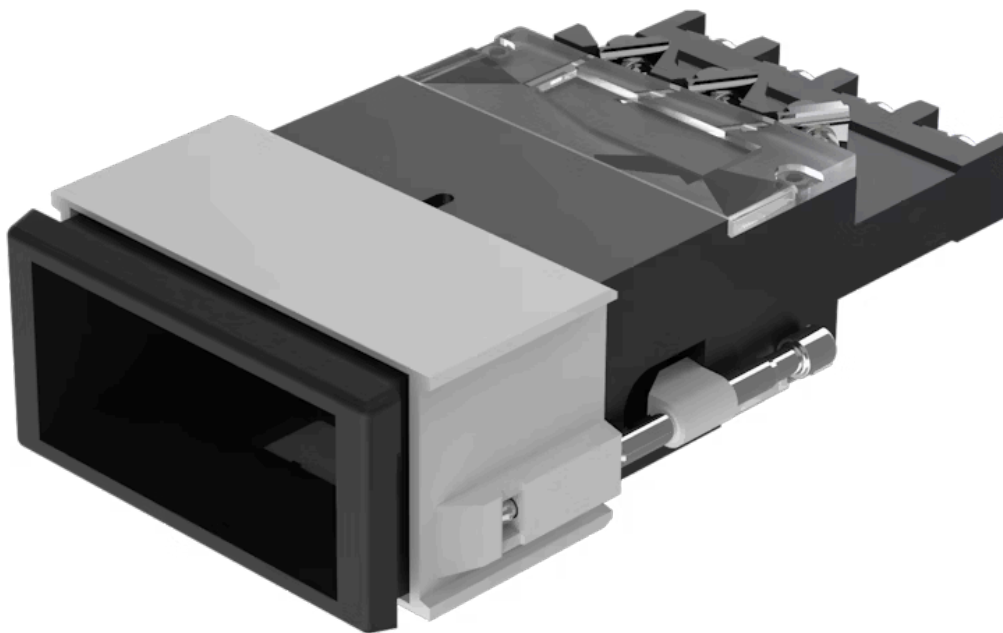


# Actuator

03-  
612.011

Distribution by  
DigiKey

**DigiKey**



<https://digikey.eao.com/p/03-612.011>

Your product:

---



## 03-612.011 Actuator

### FRONT

<b>Front bezel material:</b>	Plastic
<b>Front bezel colour:</b>	Black
<b>Front form:</b>	rectangular

### MOUNTING

<b>Design:</b>	flush
<b>Mounting cut-out:</b>	21.2 mm x 41.2 mm
<b>Mounting type:</b>	Panel mounting

### OPERATING-/INDICATION PART

<b>Lens illumination:</b>	non illuminative
---------------------------	------------------

### ELECTRICAL CHARACTERISTICS

<b>Contacts:</b>	2 C
<b>Thermal current I<sub>th</sub>:</b>	10 A
<b>Standards:</b>	The switches comply with the "Standards for low-voltage switching devices" EN IEC 60947-5-1
<b>Electric strength:</b>	2500 VAC, 50 Hz, 1 minute, as per IEC 60947-5-1 between all terminals and earth
<b>Switching voltage and switching current:</b>	according to UL 250 VAC, 10 A according to IEC 60947-5-1 AC-12: 400 V, 10 A AC-15: 250 V, 8 A DC-13: 60 V, 1 A AC-15: 400 V, 6 A DC-13: 110 V, 0.4 A DC-13: 24 V, 3 A
<b>Rated insulation voltage U<sub>i</sub>:</b>	400 VAC/440 VDC according to IEC 60947-5-1

## MECHANICAL CHARACTERISTIC

<b>Switching system:</b>	Snap-action switching element
<b>Switching action:</b>	Momentary
<b>Switching system:</b>	1 or 2 self-cleaning snap action switching elements. 1 or 2 double-throw contacts.
<b>Weight:</b>	0.065 kg
<b>Mechanical lifetime:</b>	2 Mio. cycles of operation
<b>Operating Travel:</b>	ca. 5 mm
<b>Contact material:</b>	Silver
<b>Tightening torque:</b>	Fixing sleeve max. 0.2 Nm, Screw terminal 0.8 Nm
<b>Terminal:</b>	Screw terminal
<b>Operating force:</b>	6 ... 12 N

## AMBIENT CONDITION

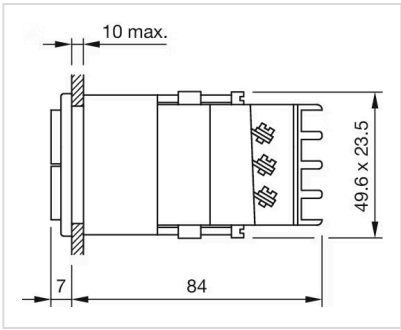
<b>Shock resistance:</b>	15 g for 11 ms, according to IEC 60068-2-27
<b>IP Protection:</b>	IP40 front side, IP65 with spray cover, according to IEC 60529
<b>Operating temperature:</b>	- 25 °C ... + 55 °C, mounted as a block, make sure the heat can escape freely
<b>Storage temperature:</b>	- 30 °C ... + 85 °C
<b>Vibration resistance:</b>	10 g at 10 Hz...2000 Hz, amplitude 1.0 mm, according to IEC 60068-2-6

## CERTIFICATE

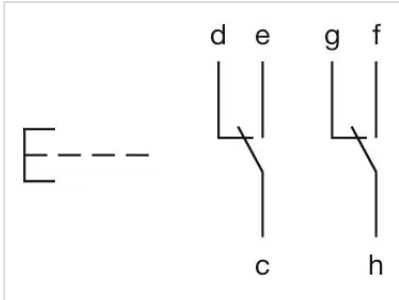
<b>Approbations:</b>	CB (IEC 61058-1), CSA, DNV, UL
<b>Conformities:</b>	CE, UKCA, 2011 / 65 / EC (RoHS), 2014 / 35 / EU (LVD)

## OTHER

<b>Housing material:</b>	Plastic
<b>Housing colour:</b>	Black
<b>Short Description:</b>	Actuator, 21.2 mm x 41.2 mm, non illuminative, rectangular, Black, Plastic, 2 C, Momentary, Screw terminal
<b>Dimension drawings:</b>	



**Wiring diagrams:**



**Mounting cut-outs:**

